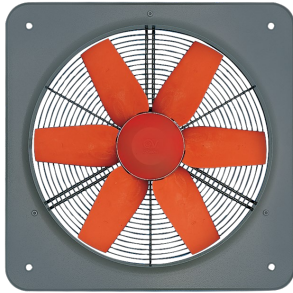


# Technical Data Sheet

CODE 42374

## MP 604 T

Medium-pressure plate axial fans



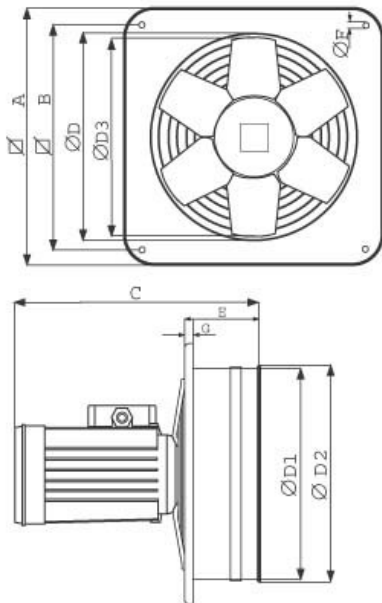
## Certifications



## TECHNICAL AND PERFORMANCE DATA

Absorbed Current at 220 V (A)	7,6	Max ambient temperature for continuous operation (°C)	70
Absorbed Current at 240 V (A)	7,97	Max. absorbed power at max speed (W)	2350
Absorbed Current at 380 V (A)	4,4	Nominal Diameter (mm)	630
Absorbed Current at 415 V (A)	4,4	Number of Poles	4
Absorbed Current max (A)	7,97	Voltage (V)	220/380 240/415
Absorbed power at 220-380 V (W)	2200	Weight (Kg)	28,1
Absorbed power at 240-415 V (W)	2350	Delivery max (l/s)	4028
Absorbed Power max (W)	2350	Delivery max (m³/h)	14500
Frequency (Hz)	50	Pressure max (mmH2O)	39,6
Insulation Class	1°	Pressure max (Pa)	388
IP	55	RPM	1400
		Sound Pressure level Lp [dB (A)] 3m	79,5

## DIMENSIONS



Size A (mm)	760
Size B (mm)	630
Size C (mm)	430
Size D (mm)	Ø 610
Size D1 (mm)	Ø 612,5
Size D2 (mm)	Ø 618
Size D3 (mm)	Ø 600
Size E (mm)	124
Size F (mm)	Ø 12
Size G (mm)	15

### PER INFORMAZIONI:

Servizio al Cliente: tel +39 02 90699395 premendo 1 dopo messaggio registrato (consulenza su prodotti e impianti)

Pre & Post Vendita: fax +39 02 90699302

Email prevendita: prevendita@vortice-italy.com

# Technical Data Sheet

CODE 42374

## MP 604 T

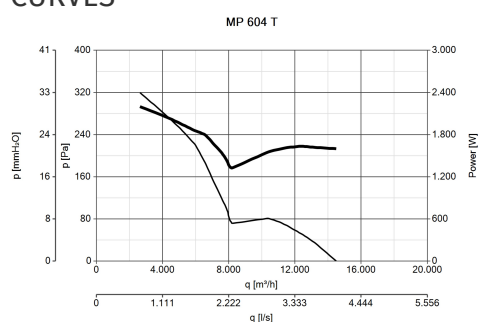
Medium-pressure plate axial fans



### DESCRIPTION

- Nominal diameter 600 mm
- Wall-mounting panel manufactured from phosphated pressed steel, polyester powder coated with hammered effect finish, guaranteeing long-term resistance to atmospheric agents.
- Ventilation port fashioned in one piece with the panel and gauged to optimize air flow.
- Protective grille (in accordance with UNI ISO 13857 standard) combining the function of motor bracket, made of electrically welded steel with epoxy paint finish, colour black. Easy removal simplifies maintenance and cleaning of the fan.
- 1 speed asynchronous three-phase AC motor with shaft turning in double shielded ball bearings, insulation class F.
- Maximum air flow 14,500 m<sup>3</sup>/h
- Impeller with 6 wing profile blades keyed to a diecast aluminium hub and dynamically balanced (UNI ISO 1940 – Balancing class 6.3), optimized to deliver maximum performance and low noise levels, moulded from filled polypropylene for superior dimensional stability and resistance to atmospheric agents.
- Vortice speed controllers.

### CURVES



### ACCESSORIES



**TRA 600**  
**(TELAIO CON**  
**RETE ANTINF.)**

Code 51650



**IRET INVERTER**

**8 M**

Code 12821

#### PER INFORMAZIONI:

**Servizio al Cliente:** tel +39 02 90699395 premendo 1 dopo messaggio registrato (consulenza su prodotti e impianti)

**Pre & Post Vendita:** fax +39 02 90699302

**Email prevendita:** prevendita@vortice-italy.com